

A=2000W  
 B=2000W  
 C=2000W

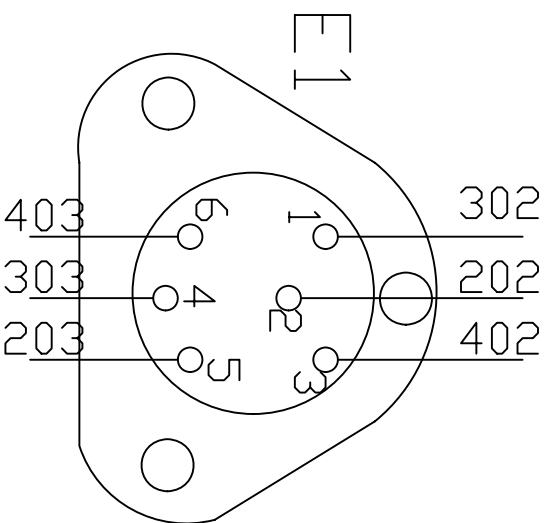
OPTIONAL	
A= DRAIN PUMP	B=REGENERATION
C=DETERGENT	D=RINSE PUMP
E=RINSE AID PUMP	F=THERMOSTOP *

\* With 206 and without 104 the thermostat is on;  
 With 104 and without 206 the thermostat is off;

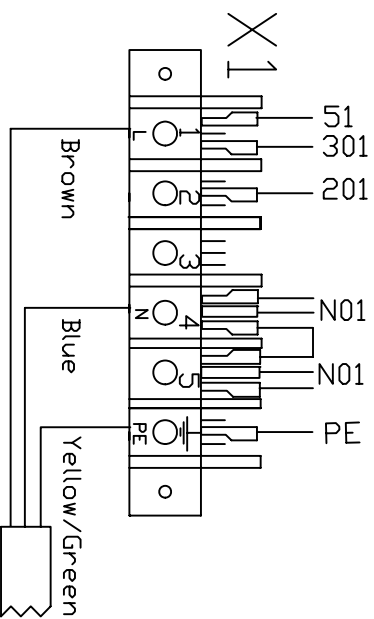
# Halcyon Amika 6XL

### Halcyon Amika 6XL wiring legend

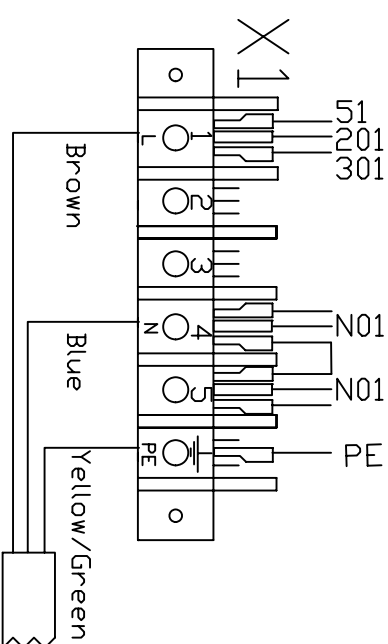
<b>Code</b>	<b>Description</b>
B1	Thermostat boiler
B3	Thermostat wash tank
B5	Door microswitch
B10	Tank level pressure switch
C1	Capacitor wash pump
E1	Boiler element
E3	Wash tank element
F1	Boiler overheat safety thermostat
F10	Tank level safety pressure switch
H1	Power lamp
H3	Cycle lamp
H4	Heating lamp
K2	Boiler element relay
K3	Wash tank element relay
K11	Heating control relay
M1	Wash pump
M3	Drain pump
M6	Detergent pump
S1	Cycle start switch
S3	Drain switch
S14	On/Off switch
S16	Cycle selector switch
Y4	Solenoid valve Fill/rinse



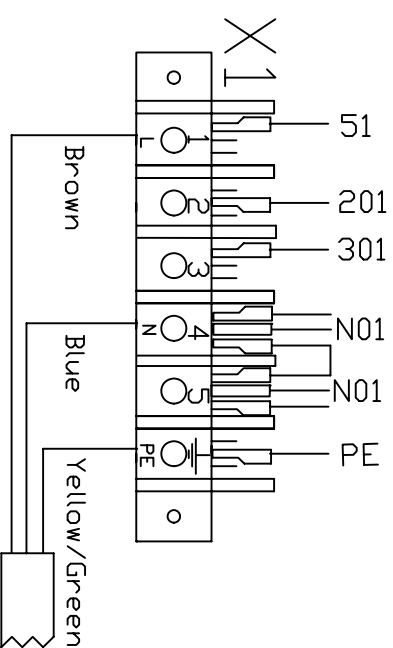
Heating boiler power 4,6 KW  
 Max. feeding current 20A



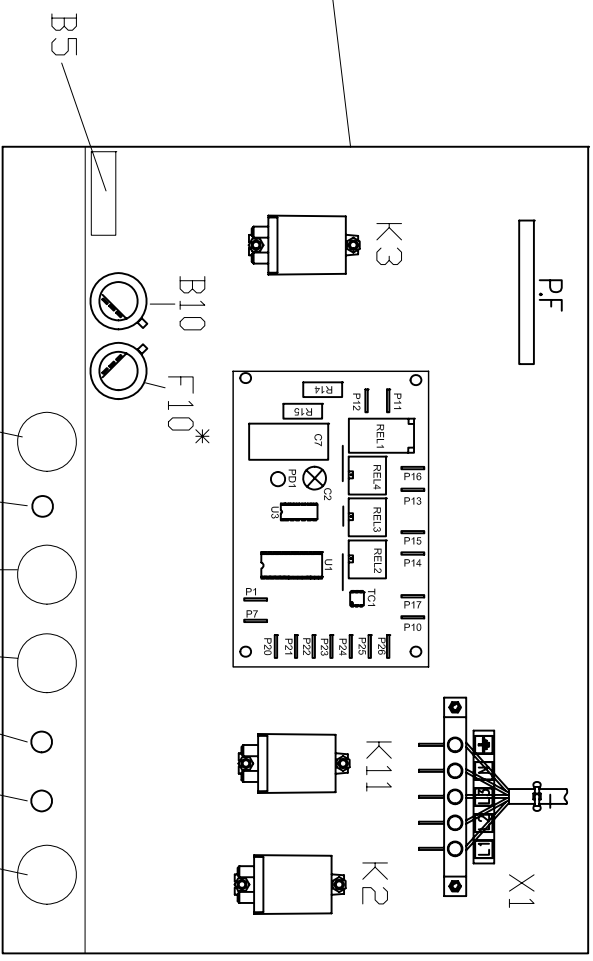
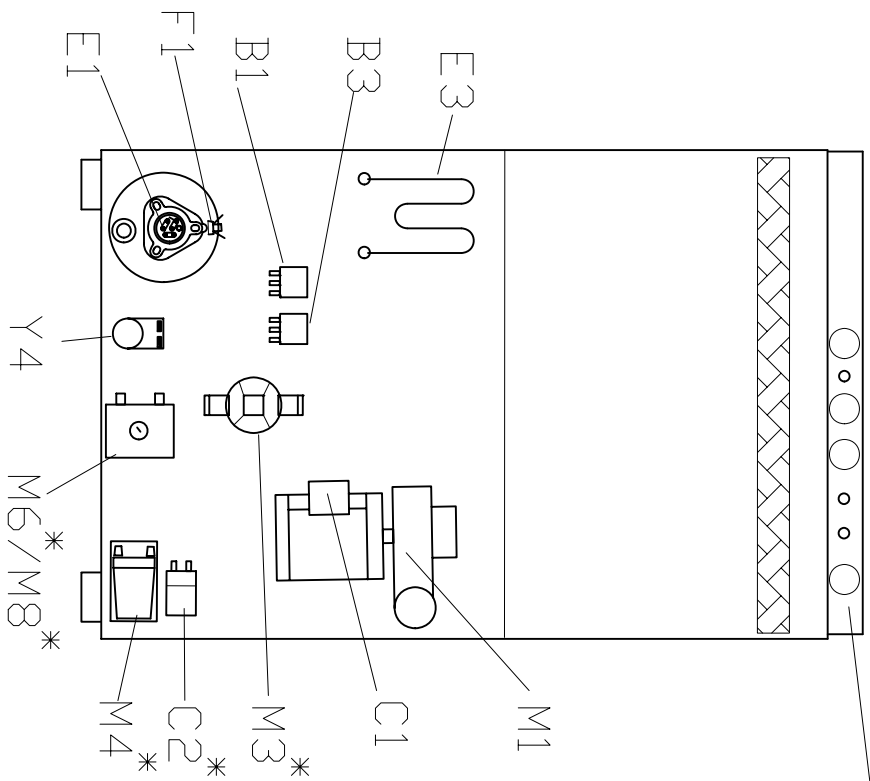
Heating boiler power 6,6 KW  
 Max. feeding current 29A



Heating boiler power 2,6 KW  
 Max. feeding current 12A



**Halcyon Amika 6XL**



\*  
OPTIONAL

# Halcyon Amika 6XL